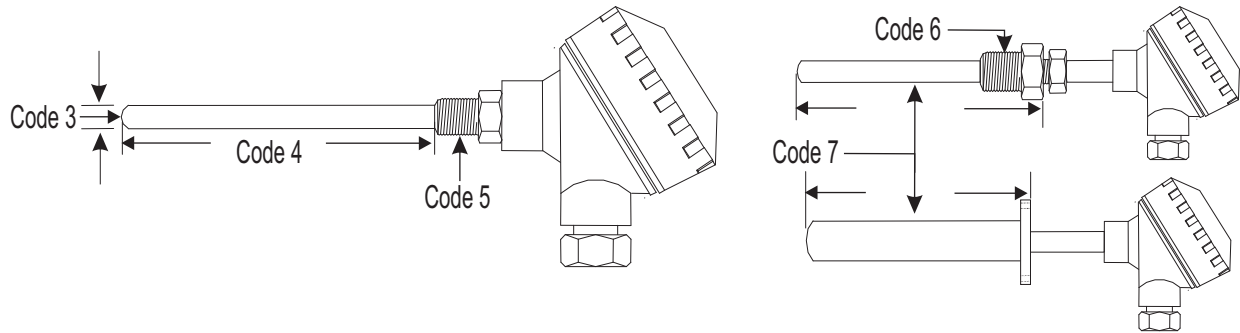


TEMPERATURE SENSOR with 2 WIRE TRANSMITTER

BTS



ORDER INFORMATION : BTS - Code 1 - Code 2 - Code 3 - Code 4 - Code 5 - Code 6 - Code 7

Code 1	Input Type
K	K Type
J	J Type
E	E Type
T	T Type
R	R Type
P	RTD (PT-100)

Code 2	Temp. Range
1	-50~50°C
2	0~50°C
3	0~100°C
4	0~200°C
5	0~400°C
6	0~600°C
7	0~1000°C
8	0~1200°C
9	0~1600°C
O	Option

Code 3	Tube Diameter
3	3.2 mm
4	4.8 mm
5	5.0 mm
6	6.3 mm
9	9.5 mm
A	12.3 mm
O	Option

Code 4	Tube Length
03	30 mm
05	50 mm
08	80 mm
10	100 mm
20	200 mm
30	300 mm
50	500 mm
80	800 mm
A0	1000 mm
B0	2000 mm
O	Option

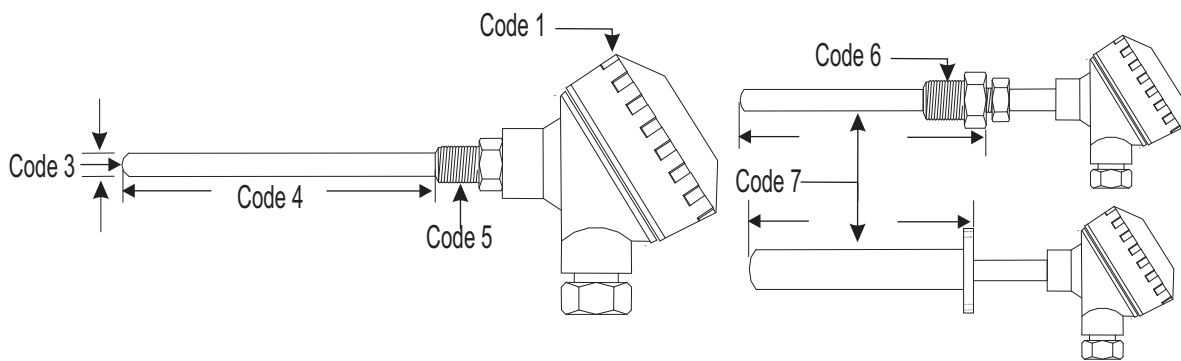
Code 5	Connection
N	None
1	1/4" PT
2	3/8" PT
3	1/2" PT
4	3/4" PT
5	1" PT
A	1/4" NPT
B	3/8" NPT
C	1/2" NPT
D	3/4" NPT
E	1" NPT
O	Option

Code 6	Thermo-Well Connection
N	None
1	1/4" PT
2	3/8" PT
3	1/2" PT
4	3/4" PT
5	1" PT
A	1/4" NPT
B	3/8" NPT
C	1/2" NPT
D	3/4" NPT
E	1" NPT
O	Option

Code 7	Thermo-Well
N	None
1	Overheat 50mm
2	Sliding Tube
3	Flange
4	Teflon Tube
5	Magnetic Tube
6	Titanium Tube
O	Option

HEAD MOUNT TEMPERATURE SENSOR

BTQ



ORDER INFORMATION : BTQ - Code 1 - Code 2 - Code 3 - Code 4 - Code 5 - Code 6 - Code 7

Code 1	Wiring Type
B	KN Box
M	KS Box
T	TL Box
U	TS Box
H	Socket (Big)
I	Socket (Small)
2	KN Dual Element
3	KN Triple Element

Code 2	Input Type
K	K Type
J	J Type
E	E Type
T	T Type
R	R Type
S	S Type
B	B Type
C	C Type
P	RTD (PT-100)

Code 3	Tube Diameter
3	3.2 mm
4	4.8 mm
5	5.0 mm
6	6.3 mm
9	9.5 mm
A	12.3 mm
O	Option

Code 4	Tube Length
03	30 mm
05	50 mm
08	80 mm
10	100 mm
20	200 mm
30	300 mm
50	500 mm
80	800 mm
A0	1000 mm
B0	2000 mm
O	Option

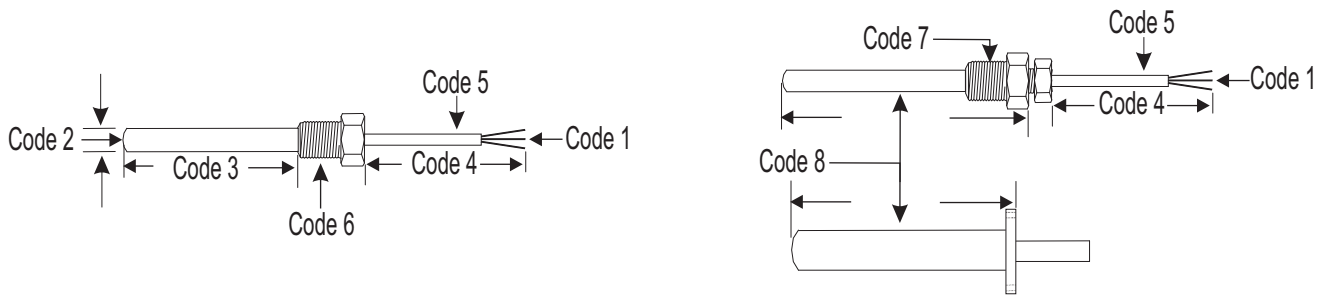
Code 5	Connection
N	None
1	1/4" PT
2	3/8" PT
3	1/2" PT
4	3/4" PT
5	1" PT
A	1/4" NPT
B	3/8" NPT
C	1/2" NPT
D	3/4" NPT
E	1" NPT
O	Option

Code 6	Thermo-Well Connection
N	None
1	1/4" PT
2	3/8" PT
3	1/2" PT
4	3/4" PT
5	1" PT
A	1/4" NPT
B	3/8" NPT
C	1/2" NPT
D	3/4" NPT
E	1" NPT
O	Option

Code 7	Thermo-Well
N	None
1	Overheat 50mm
2	Sliding Tube
3	Flange
4	Teflon Tube
5	Magnetic Tube
6	Titanium Tube
O	Option

WIRE TYPE TEMPERATURE SENSOR

BTL

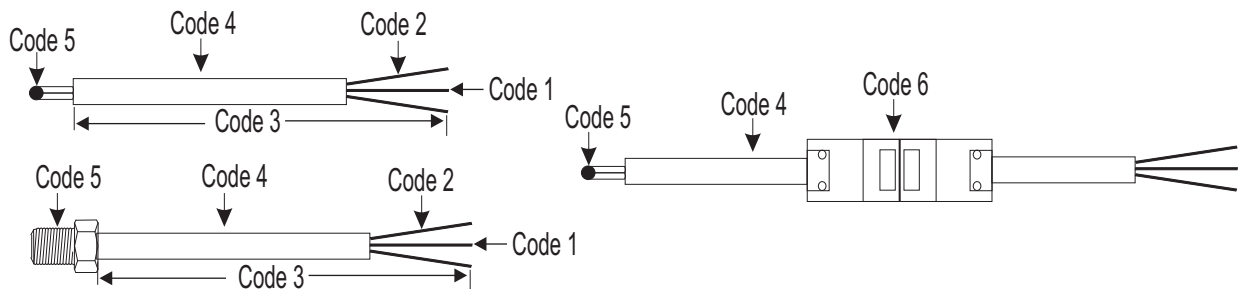


ORDER INFORMATION : BTL - [Code 1] [Code 2] - [Code 3] - [Code 4] [Code 5] - [Code 6] [Code 7] [Code 8]

Code 1	Input Type	Code 2	Tube Diameter	Code 3	Tube Length	Code 4	Wiring Length	Code 5	Wiring Material	Code 6	Connection	Code 7	Thermo-Well Connection	Code 8	Thermo-Well
K	K Type	3	3.2 mm	03	30 mm	01	1 M	C	Glass Fiber	N	None	N	None	N	None
J	J Type	4	4.8 mm	05	50 mm	02	2 M	D	Hot-Resistant	1	1/4" PT	1	1/4" PT	1	Overheat 50mm
E	E Type	5	5.0 mm	08	80 mm	03	3 M	F	Iron	2	3/8" PT	2	3/8" PT	2	Sliding Tube
T	T Type	6	6.3 mm	10	100 mm	10	10 M	P	PVC	3	1/2" PT	3	1/2" PT	3	Flange
R	R Type	9	9.5 mm	20	200 mm	20	20 M	T	TEFLON	4	3/4" PT	4	3/4" PT	4	Teflon Tube
S	S Type	A	12.3 mm	30	300 mm	30	30 M	O	Option	5	1" PT	5	1" PT	5	Magnetic Tube
B	B Type	O	Option	50	500 mm	40	40 M			A	1/4" NPT	A	1/4" NPT	6	Titanium Tube
C	C Type			80	800 mm	A0	100 M			B	3/8" NPT	B	3/8" NPT	O	Option
P	RTD (PT-100)			A0	1000 mm	B0	200 M			C	1/2" NPT	C	1/2" NPT		
				B0	2000 mm	O	Option			D	3/4" NPT	D	3/4" NPT		
				O	Option					E	1" NPT	E	1" NPT		
										O	Option	O	Option		

TEMPERATURE CABLE

BTC



ORDER INFORMATION : BTC - [Code 1] - [Code 2] - [Code 3] [Code 4] - [Code 5] [Code 6]

Code 1	Input Type	Code 2	Wiring Diameter	Code 3	Wiring Length	Code 4	Wiring Material	Code 5	Connection	Code 6	Connection
K	K Type	A	0.16 Single Core	03	30 cm	C	Glass Fiber	0	Extension Wire	N	None
J	J Type	B	0.32 Single Core	05	50 cm	D	Hot-Resistant	1	Solder	H	Socket (Big)
E	E Type	C	0.65 Single Core	08	80 cm	F	Iron	2	Screw Nut	I	Socket (Small)
T	T Type	D	0.32 Multi Core	10	1 M	P	PVC				
R	R Type	E	0.65 Multi Core	20	2 M	T	Teflon				
P	RTD (PT-100)			30	3 M	O	Option				
				50	5 M						
				80	8 M						
				A0	10 M						
				B5	25 M						
				AA	100 M						
				CA	300 M						
				O	Option						